

BAYLAN

WATER METERS

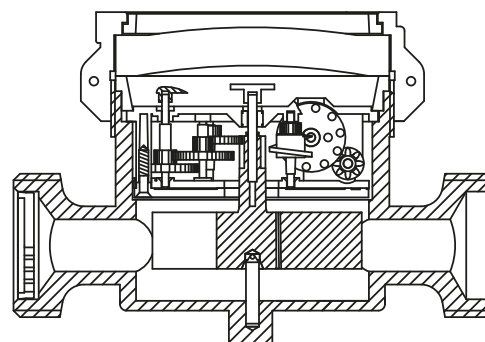
KY-1

Single jet Wet type Water Meter



GENERAL

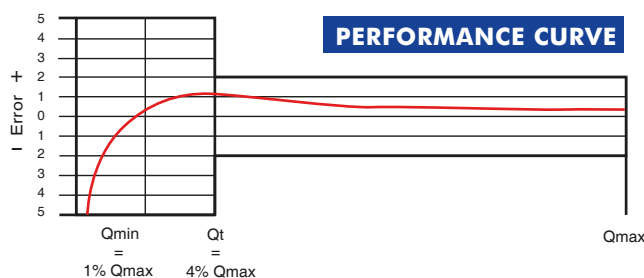
- Single jet design assures very high sensitivity even at low flows
- Special glass with high resistance to pressure and impact
- 360° rotating lid
- Electrostatic painted body made of corrosion resistant brass
- 3 years of warranty
- Suitable for cold water up to 50°C
- Almost no maintenance
- Service and spare parts available for 10 years



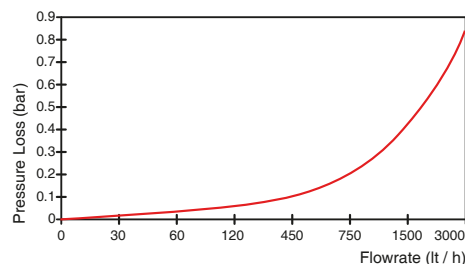
PERFORMANCE DATA

Nominal Flow	Qn	(m ³ /h)	: 1.5
Maximum Flow	Qmax	(m ³ /h)	: 3.0
Transitional Flow	Qt	(m ³ /h)	: 0.12
Minimum Flow	Qmin	(m ³ /h)	: 0.03
Initial Flow	Qi	(l/h)	: 5
Maximum Working Pressure		(bar)	: 16
Maximum Working Temperature		(°C)	: 50
Metrological Class			: B
Pressure Loss		(bar)	: 1
Maximum Registration Capacity		(m ³)	: 9999
Smallest Reading Resolution		(m ³)	: 0.00005
Mounting on the network			: Horizontal
			DN 15 DN 20
Unit weight		(kg)	: 0.63 0.63
Package Weight (without connections)		(kg)	: 6.87 6.90
Package Weight (with connections)		(kg)	: 8.13 8.90
Quantity per package			: 10
Package dimensions		(cm)	: 21.5x42.5x16.5

PERFORMANCE CURVE

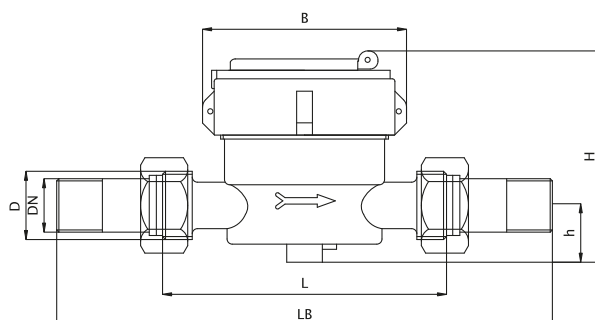


PRESSURE LOSS CURVE



DIMENSIONS

Nominal diameter	DN 15	20	mm
Connecting diameter	D G 3/4	G 1	B
Total overall meter height	H 82	82	mm
Axis height	h 24	24	mm
Length	L 110	110	mm
Width	B 79	79	mm
Length with connections	LB 203	203	mm



"Due to continuous development of our products, we reserve the right to modify our product design or construction without prior notice."